

Total Access 1100 Extension Cables

GENERAL

This job aid provides instructions for installing the following Total Access® 1000 Extension Cables (Extension Cables):

Part Number	Description
1179823L1	50-Pair, 25-foot Extension Cable
1179823L2	50-Pair, 50-foot Extension Cable
1179823L3	12-Pair, 25-foot Extension Cable
1179823L4	12-Pair, 50-foot Extension Cable

DESCRIPTION

The Extension Cables are designed to extend Total Access 1100 series signals to DLC systems using 710-style splice connectors with a stub termination.

Compliance

The Extension Cables are NRTL listed to the applicable UL/CSA standards.

INSTALLATION

After unpacking the cable, inspect it for damage. If damage is noted, file a claim with the carrier and then contact ADTRAN. Refer to the Warranty statement on the reverse side.

To install an Extension Cable, perform the following steps:

1. Connect the 710 splice module(s) to the splice module(s) on the appropriate Total Access 1100 series equipment.
2. Use dome closure if appropriate to shield the splice module connections from the environment.
3. Use the stub end of the cable to wire-wrap to appropriate equipment, insert into splice module(s), or other approved applications.

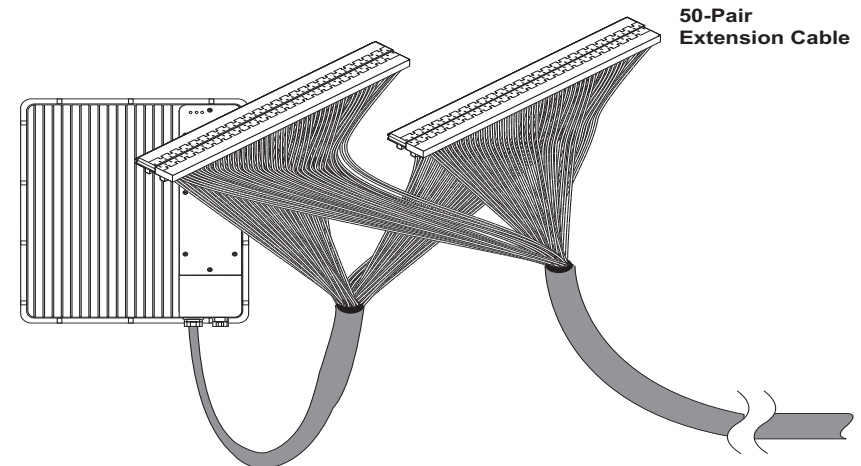
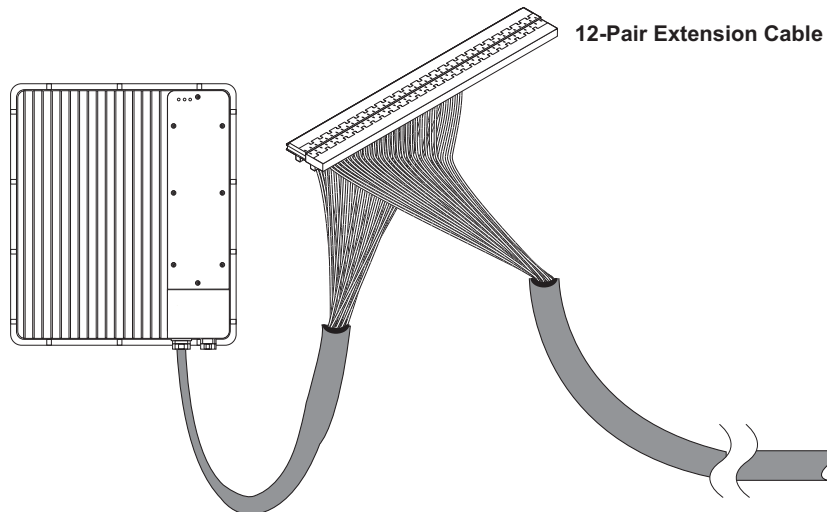
PINOUT INFORMATION

Pin 1 of the Total Access 1100 series equipment connects to Pin 1 of the Extension Cable and continues a 1:1 sequence throughout the wiring, routing modem signals (where present) straight through. Pinout information for various DSLAM applications is found in the tables that follow. Pinout information is the same for both 50-pin connectors (blue and orange binder groups).

POTS and ADSL2+ Plus POTS Pinouts - 24 Port DSLAM

Equipment Side Color Codes		Pairs (by Binder Color)		Extension Cable Color Codes	
Tip	Ring	Blue	Orange	Tip	Ring
White	Blue	POTS 1	ADSL+POTS 1	White	Blue
White	Orange	POTS 2	ADSL+POTS 2	White	Orange
White	Green	POTS 3	ADSL+POTS 3	White	Green
White	Brown	POTS 4	ADSL+POTS 4	White	Brown
White	Slate	POTS 5	ADSL+POTS 5	White	Slate
Red	Blue	POTS 6	ADSL+POTS 6	Red	Blue
Red	Orange	POTS 7	ADSL+POTS 7	Red	Orange
Red	Green	POTS 8	ADSL+POTS 8	Red	Green
Red	Brown	POTS 9	ADSL+POTS 9	Red	Brown
Red	Slate	POTS 10	ADSL+POTS 10	Red	Slate
Black	Blue	POTS 11	ADSL+POTS 11	Black	Blue
Black	Orange	POTS 12	ADSL+POTS 12	Black	Orange
Black	Green	POTS 13	ADSL+POTS 13	Black	Green
Black	Brown	POTS 14	ADSL+POTS 14	Black	Brown
Black	Slate	POTS 15	ADSL+POTS 15	Black	Slate
Yellow	Blue	POTS 16	ADSL+POTS 16	Yellow	Blue
Yellow	Orange	POTS 17	ADSL+POTS 17	Yellow	Orange
Yellow	Green	POTS 18	ADSL+POTS 18	Yellow	Green
Yellow	Brown	POTS 19	ADSL+POTS 19	Yellow	Brown
Yellow	Slate	POTS 20	ADSL+POTS 20	Yellow	Slate
Violet	Blue	POTS 21	ADSL+POTS 21	Violet	Blue
Violet	Orange	POTS 22	ADSL+POTS 22	Violet	Orange
Violet	Green	POTS 23	ADSL+POTS 23	Violet	Green
Violet	Brown	POTS 24	ADSL+POTS 24	Violet	Brown
Violet	Slate	Modem*	No Connect	Violet	Slate

* Where equipped, V.90 modem is a list option and only equipped on specific units.





Total Access 1100 Series Extension Cables

PRICING AND AVAILABILITY 800.827.0807
 TECH SUPPORT 800.726.8663
 RETURN FOR REPAIR 256.963.8722
 www.adtran.com
 61179823LX-22A

HDSL4 and T1 Network Pinouts - 24 Port DSLAM

Equipment Side Codes			Local DC Powered	Line Powered	Local AC Powered	Extension Cable Codes	
Tip	Ring	Pair/Pins	HDSL4 / T1	HDSL4 / T1	HDSL4 / T1	Tip	Ring
White	Blue	1 (1, 26)	HDSL4-1 Loop2 / T1-1 TX	HDSL4-1 Loop2 / T1-1 TX	HDSL4-1 Loop2 / T1-1 TX	White	Blue
White	Orange	2 (2, 27)	HDSL4-1 Loop1 / T1-1 RX	HDSL4-1 Loop1 / T1-1 RX	HDSL4-1 Loop1 / T1-1 RX	White	Orange
White	Green	3 (3, 28)	HDSL4-2 Loop2 / T1-2 TX	HDSL4-2 Loop2 / T1-2 TX	HDSL4-2 Loop2 / T1-2 TX	White	Green
White	Brown	4 (4, 29)	HDSL4-2 Loop1 / T1-2 RX	HDSL4-2 Loop1 / T1-2 RX	HDSL4-2 Loop1 / T1-2 RX	White	Brown
White	Slate	5 (5, 30)	HDSL4-3 Loop2 / T1-3 TX	HDSL4-3 Loop2 / T1-3 TX	HDSL4-3 Loop2 / T1-3 TX	White	Slate
Red	Blue	6 (6, 31)	HDSL4-3 Loop1 / T1-3 RX	HDSL4-3 Loop1 / T1-3 RX	HDSL4-3 Loop1 / T1-3 RX	Red	Blue
Red	Orange	7 (7, 32)	HDSL4-4 Loop2 / T1-4 TX	HDSL4-4 Loop2 / T1-4 TX	HDSL4-4 Loop2 / T1-4 TX	Red	Orange
Red	Green	8 (8, 33)	HDSL4-4 Loop1 / T1-4 RX	HDSL4-4 Loop1 / T1-4 RX	HDSL4-4 Loop1 / T1-4 RX	Red	Green
Red	Brown	9 (9, 34)	Alarm 1	AUX 1 Line Power Connect	No Connect	Red	Brown
Red	Slate	10 (10, 35)	Alarm 2	AUX 2 Line Power Connect	No Connect	Red	Slate
Black	Blue	11 (11, 36)	Alarm 3	AUX 3 Line Power Connect	No Connect	Black	Blue
Black	Orange	12 (12, 37)	Alarm 4	AUX 4 Line Power Connect	No Connect	Black	Orange
Black	Green	13 (13, 38)	Alarm 5	AUX 5 Line Power Connect	No Connect	Black	Green
Black	Brown	14 (14, 39)	No Connect	AUX 6 Line Power Connect	No Connect	Black	Brown
Black	Slate	15 (15, 40)	No Connect	AUX 7 Line Power Connect	No Connect	Black	Slate
Yellow	Blue	16 (16, 41)	No Connect	AUX 8 Line Power Connect	No Connect	Yellow	Blue
Yellow	Orange	17 (17, 42)	No Connect	No Connect	No Connect	Yellow	Orange
Yellow	Green	18 (18, 43)	No Connect	No Connect	No Connect	Yellow	Green
Yellow	Brown	19 (19, 44)	No Connect	No Connect	No Connect	Yellow	Brown
Yellow	Slate	20 (20, 45)	No Connect	No Connect	No Connect	Yellow	Slate
Violet	Blue	21 (21, 46)	No Connect	No Connect	No Connect	Violet	Blue
Violet	Orange	22 (22, 47)	No Connect	No Connect	No Connect	Violet	Orange
Violet	Green	23 (23, 48)	No Connect	No Connect	No Connect	Violet	Green
Violet	Brown	24 (24, 49)	No Connect	No Connect	No Connect	Violet	Brown
Violet	Slate	25 (25, 50)	No Connect	No Connect	No Connect	Violet	Slate

HDSL4 Network Pinouts - 48 Port

Equipment Side Codes			Local DC Powered	Line Powered	Local AC Powered	Extension Cable Codes	
Tip	Ring	Pair/Pins	Local DC Powered	Line Powered	Local AC Powered	Tip	Ring
White	Blue	1 (1, 26)	HDSL4-1 Loop2	HDSL4-1 Loop2	HDSL4-1 Loop2	White	Blue
White	Orange	2 (2, 27)	HDSL4-1 Loop1	HDSL4-1 Loop1	HDSL4-1 Loop1	White	Orange
White	Green	3 (3, 28)	HDSL4-2 Loop2	HDSL4-2 Loop2	HDSL4-2 Loop2	White	Green
White	Brown	4 (4, 29)	HDSL4-2 Loop1	HDSL4-2 Loop1	HDSL4-2 Loop1	White	Brown
White	Slate	5 (5, 30)	HDSL4-3 Loop2	HDSL4-3 Loop2	HDSL4-3 Loop2	White	Slate
Red	Blue	6 (6, 31)	HDSL4-3 Loop1	HDSL4-3 Loop1	HDSL4-3 Loop1	Red	Blue
Red	Orange	7 (7, 32)	HDSL4-4 Loop2	HDSL4-4 Loop2	HDSL4-4 Loop2	Red	Orange
Red	Green	8 (8, 33)	HDSL4-4 Loop1	HDSL4-4 Loop1	HDSL4-4 Loop1	Red	Green
Red	Brown	9 (9, 34)	HDSL4-5 Loop2*	HDSL4-5 Loop2*	HDSL4-5 Loop2*	Red	Brown
Red	Slate	10 (10, 35)	HDSL4-5 Loop1*	HDSL4-5 Loop1*	HDSL4-5 Loop1*	Red	Slate
Black	Blue	11 (11, 36)	HDSL4-6 Loop2*	HDSL4-6 Loop2*	HDSL4-6 Loop2*	Black	Blue
Black	Orange	12 (12, 37)	HDSL4-6 Loop1*	HDSL4-6 Loop1*	HDSL4-6 Loop1*	Black	Orange
Black	Green	13 (13, 38)	HDSL4-7 Loop2*	HDSL4-7 Loop2*	HDSL4-7 Loop2*	Black	Green
Black	Brown	14 (14, 39)	HDSL4-7 Loop1*	HDSL4-7 Loop1*	HDSL4-7 Loop1*	Black	Brown
Black	Slate	15 (15, 40)	HDSL4-8 Loop2*	HDSL4-8 Loop2*	HDSL4-8 Loop2*	Black	Slate
Yellow	Blue	16 (16, 41)	HDSL4-8 Loop1*	HDSL4-8 Loop1*	HDSL4-8 Loop1*	Yellow	Blue
Yellow	Orange	17 (17, 42)	Alarm 1	AUX 1 Line Power Connect	No Connect	Yellow	Orange
Yellow	Green	18 (18, 43)	Alarm 2	AUX 2 Line Power Connect	No Connect	Yellow	Green
Yellow	Brown	19 (19, 44)	Alarm 3	AUX 3 Line Power Connect	No Connect	Yellow	Brown
Yellow	Slate	20 (20, 45)	Alarm 4	AUX 4 Line Power Connect	No Connect	Yellow	Slate
Violet	Blue	21 (21, 46)	Alarm 5	AUX 5 Line Power Connect	No Connect	Violet	Blue
Violet	Orange	22 (22, 47)	No Connect	AUX 6 Line Power Connect	No Connect	Violet	Orange
Violet	Green	23 (23, 48)	No Connect	AUX 7 Line Power Connect	No Connect	Violet	Green
Violet	Brown	24 (24, 49)	No Connect	AUX 8 Line Power Connect	No Connect	Violet	Brown
Violet	Slate	25 (25, 50)	No Connect	No Connect	No Connect	Violet	Slate

* Octal information shown, pairs 9 - 16 on Quad version are No Connect.

POTS and ADSL2+ Plus POTS Pinouts - 48 Port DSLAM

Equipment Side Codes		Pairs (by Binder Color)				Extension Cable Codes	
Tip	Ring	Blue	Orange	Green	Brown	Tip	Ring
White	Blue	POTS 1	POTS 26	ADSL2+ plus POTS 1	ADSL2+ plus POTS 26	White	Blue
White	Orange	POTS 2	POTS 27	ADSL2+ plus POTS 2	ADSL2+ plus POTS 27	White	Orange
White	Green	POTS 3	POTS 28	ADSL2+ plus POTS 3	ADSL2+ plus POTS 28	White	Green
White	Brown	POTS 4	POTS 29	ADSL2+ plus POTS 4	ADSL2+ plus POTS 29	White	Brown
White	Slate	POTS 5	POTS 30	ADSL2+ plus POTS 5	ADSL2+ plus POTS 30	White	Slate
Red	Blue	POTS 6	POTS 31	ADSL2+ plus POTS 6	ADSL2+ plus POTS 31	Red	Blue
Red	Orange	POTS 7	POTS 32	ADSL2+ plus POTS 7	ADSL2+ plus POTS 32	Red	Orange
Red	Green	POTS 8	POTS 33	ADSL2+ plus POTS 8	ADSL2+ plus POTS 33	Red	Green
Red	Brown	POTS 9	POTS 34	ADSL2+ plus POTS 9	ADSL2+ plus POTS 34	Red	Brown
Red	Slate	POTS 10	POTS 35	ADSL2+ plus POTS 10	ADSL2+ plus POTS 35	Red	Slate
Black	Blue	POTS 11	POTS 36	ADSL2+ plus POTS 11	ADSL2+ plus POTS 36	Black	Blue
Black	Orange	POTS 12	POTS 37	ADSL2+ plus POTS 12	ADSL2+ plus POTS 37	Black	Orange
Black	Green	POTS 13	POTS 38	ADSL2+ plus POTS 13	ADSL2+ plus POTS 38	Black	Green
Black	Brown	POTS 14	POTS 39	ADSL2+ plus POTS 14	ADSL2+ plus POTS 39	Black	Brown
Black	Slate	POTS 15	POTS 40	ADSL2+ plus POTS 15	ADSL2+ plus POTS 40	Black	Slate
Yellow	Blue	POTS 16	POTS 41	ADSL2+ plus POTS 16	ADSL2+ plus POTS 41	Yellow	Blue
Yellow	Orange	POTS 17	POTS 42	ADSL2+ plus POTS 17	ADSL2+ plus POTS 42	Yellow	Orange
Yellow	Green	POTS 18	POTS 43	ADSL2+ plus POTS 18	ADSL2+ plus POTS 43	Yellow	Green
Yellow	Brown	POTS 19	POTS 44	ADSL2+ plus POTS 19	ADSL2+ plus POTS 44	Yellow	Brown
Yellow	Slate	POTS 20	POTS 45	ADSL2+ plus POTS 20	ADSL2+ plus POTS 45	Yellow	Slate
Violet	Blue	POTS 21	POTS 46	ADSL2+ plus POTS 21	ADSL2+ plus POTS 46	Violet	Blue
Violet	Orange	POTS 22	POTS 47	ADSL2+ plus POTS 22	ADSL2+ plus POTS 47	Violet	Orange
Violet	Green	POTS 23	POTS 48	ADSL2+ plus POTS 23	ADSL2+ plus POTS 48	Violet	Green
Violet	Brown	POTS 24	Modem*	ADSL2+ plus POTS 24	No Connect	Violet	Brown
Violet	Slate	POTS 25	No Connect	ADSL2+ plus POTS 25	No Connect	Violet	Slate

*Where equipped, V.90 modem is a list option and only equipped on specific units.

T1 Network Pinouts - 48 Port

Equipment Side Codes			Local DC Powered	Line Powered	Local AC Powered	Extension Cable Codes	
Tip	Ring	Pair/Pins	Local DC Powered	Line Powered	Local AC Powered	Tip	Ring
White	Blue	1 (1, 26)	T1-1 TX	T1-1 TX	T1-1 TX	White	Blue
White	Orange	2 (2, 27)	T1-1 RX	T1-1 RX	T1-1 RX	White	Orange
White	Green	3 (3, 28)	T1-2 TX	T1-2 TX	T1-2 TX	White	Green
White	Brown	4 (4, 29)	T1-2 RX	T1-2 RX	T1-2 RX	White	Brown
White	Slate	5 (5, 30)	T1-3 TX	T1-3 TX	T1-3 TX	White	Slate
Red	Blue	6 (6, 31)	T1-3 RX	T1-3 RX	T1-3 RX	Red	Blue
Red	Orange	7 (7, 32)	T1-4 TX	T1-4 TX	T1-4 TX	Red	Orange
Red	Green	8 (8, 33)	T1-4 RX	T1-4 RX	T1-4 RX	Red	Green
Red	Brown	9 (9, 34)	T1-5 TX*	T1-5 TX*	T1-5 TX*	Red	Brown
Red	Slate	10 (10, 35)	T1-5 RX*	T1-5 RX*	T1-5 RX*	Red	Slate
Black	Blue	11 (11, 36)	T1-6 TX*	T1-6 TX*	T1-6 TX*	Black	Blue
Black	Orange	12 (12, 37)	T1-6 RX*	T1-6 RX*	T1-6 RX*	Black	Orange
Black	Green	13 (13, 38)	T1-7 TX*	T1-7 TX*	T1-7 TX*	Black	Green
Black	Brown	14 (14, 39)	T1-7 RX*	T1-7 RX*	T1-7 RX*	Black	Brown
Black	Slate	15 (15, 40)	T1-8 TX*	T1-8 TX*	T1-8 TX*	Black	Slate
Yellow	Blue	16 (16, 41)	T1-8 RX*	T1-8 RX*	T1-8 RX*	Yellow	Blue
Yellow	Orange	17 (17, 42)	Alarm 1	AUX 1 Line Power Connect	No Connect	Yellow	Orange
Yellow	Green	18 (18, 43)	Alarm 2	AUX 2 Line Power Connect	No Connect	Yellow	Green
Yellow	Brown	19 (19, 44)	Alarm 3	AUX 3 Line Power Connect	No Connect	Yellow	Brown
Yellow	Slate	20 (20, 45)	Alarm 4	AUX 4 Line Power Connect	No Connect	Yellow	Slate
Violet	Blue	21 (21, 46)	Alarm 5	AUX 5 Line Power Connect	No Connect	Violet	Blue
Violet	Orange	22 (22, 47)	No Connect	AUX 6 Line Power Connect	No Connect	Violet	Orange
Violet	Green	23 (23, 48)	No Connect	AUX 7 Line Power Connect	No Connect	Violet	Green
Violet	Brown	24 (24, 49)	No Connect	AUX 8 Line Power Connect	No Connect	Violet	Brown
Violet	Slate	25 (25, 50)	No Connect	No Connect	No Connect	Violet	Slate

* Octal information shown, pairs 9 - 16 on Quad version are No Connect.

Warranty: ADTRAN will replace or repair this product within the warranty period if it does not meet its published specifications or fails while in service. Warranty information can be found online at www.adtran.com/warranty.