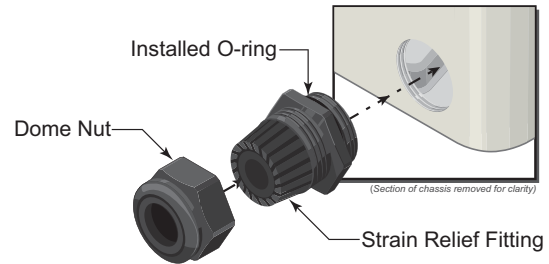
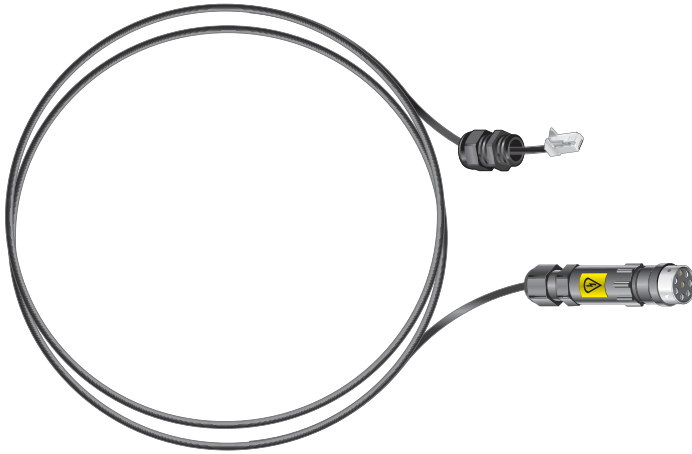


DESCRIPTION

The Total Access® 11xxA/V Host-1148 Client Expansion Cable (P/N Expansion Cable) is a 6-foot long, Cat 5e, shielded cable with an RJ-45 connector on one end and a female, sealed circular connector on the other.



5. Loosen the dome nut on the Strain Relief Fitting in order to allow the fitting to move along the Cable.
6. Thread strain relief fitting into housing until it seats and then torque to 33.2 in-lb.
If a torque wrench is not available, hand-tighten the fitting into the housing until it seats and then tighten an additional one-quarter to one-half turn using a PG 13.5 deep socket wrench.
7. Loosely hand-tighten the dome nut onto the strain relief fitting.
8. Install the RJ-45 connector into the **EXPANSION OUT** port of the Host DSLAM by following the applicable HOST DSLAM job aid. If connecting to a Total Access 1200 Series Host DSLAM skip to step 10.
9. After the cables have been connected, hand-tighten the dome nuts until the cable is snug within the strain relief fitting, and then torque the dome nuts torque to 22.1 in-lb.

If a torque wrench is not available, hand-tighten the dome nut until the cable is snug within the strain relief fitting and then tighten an additional three-quarter turn using a PG 13.5 deep socket wrench.

APPLICATION

The Expansion Cable provides a connection solution between the 8-pin, sealed circular connectors used in the Total Access 1100 Series ADSL2+ Client DSLAMs and the RJ-45 connectors used in the following products:

- ◆ Total Access 1200 Series
- ◆ Total Access 1124V Host
- ◆ Total Access 1148A Host
- ◆ Total Access 1148V Host

NOTE

An illustration of the installation of a Total Access 1200 Series Host and Total Access 1100 Series Clients and an illustration of the installation of a Total Access 11xxA/V Host and Total Access 1100 Series Clients are shown on the reverse side of this Job Aid.

INSTALLATION

After unpacking the Expansion Cable, inspect it for damage. If damage is noted, file a claim with the carrier and then contact ADTRAN. For more information, refer to the warranty.

To install the Expansion Cable, perform the following steps:

1. Route the Expansion Cable from the Total Access 1200 Series or 11xxA/V Host DSLAM to the Total Access 1100 Series Client DSLAM.
2. Support the Expansion Cable per local instructions.
3. If connecting to a Total Access 1200 Series Host DSLAM skip to step 8. If connecting to a Total Access 11xxA/V Host DSLAM continue to step 4.
4. Prior to installing individual strain relief fittings, ensure that the O-ring is in place on the strain relief fitting to ensure a water tight seal.

CAUTION

When mating the circular connectors, insert the connector plug vertically, do not insert at an angle to avoid raking the connector edges over the surface of the pin sockets, which could crimp or bend the fluted edges of the sockets.

10. Rotate the connector plug over the face of the socket until the keys of the connector plug engage the keyways of the connector socket. Apply slight upward motion until the connectors are seated.

NOTE

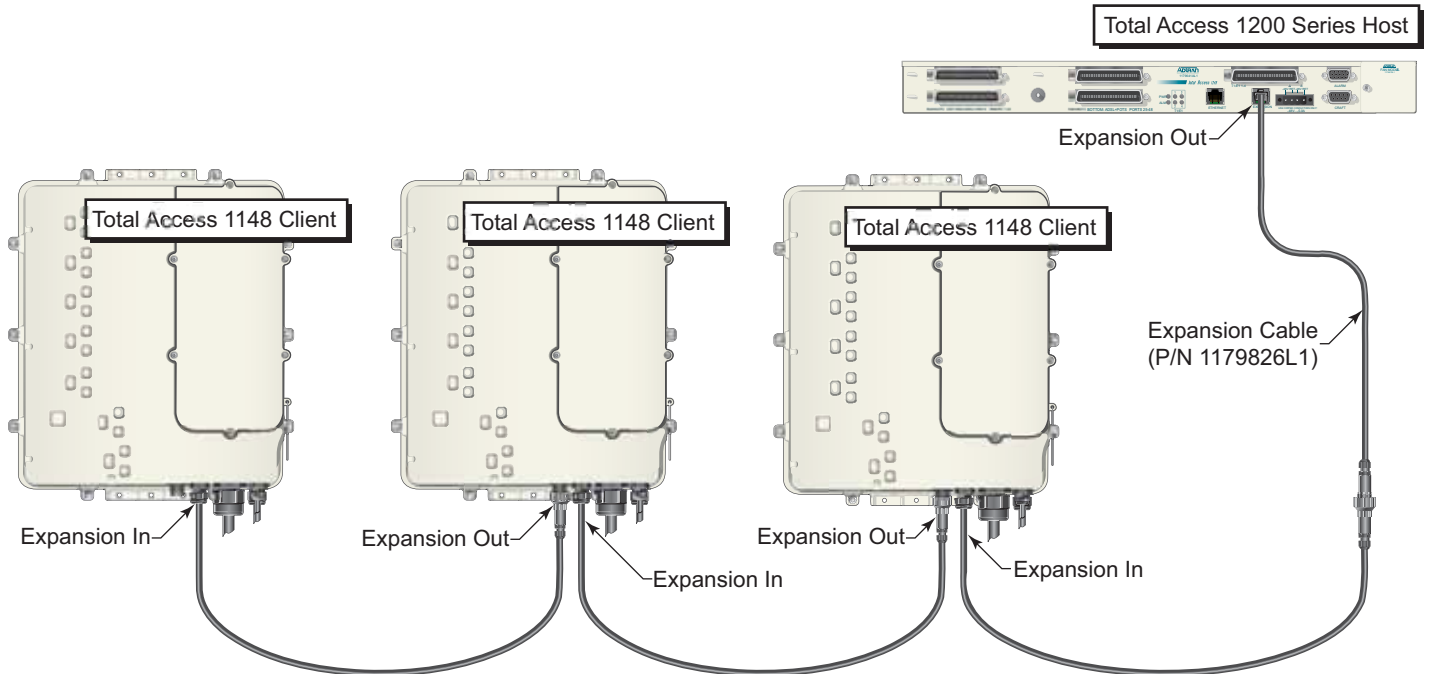
No physical force is required to seat the connectors, once the keys and keyways are aligned, the connectors should easily mate.

11. Align the guides of the outer collar of the connector plug with the locking lugs of the connector socket and twist the outer collar clockwise to lock it in place

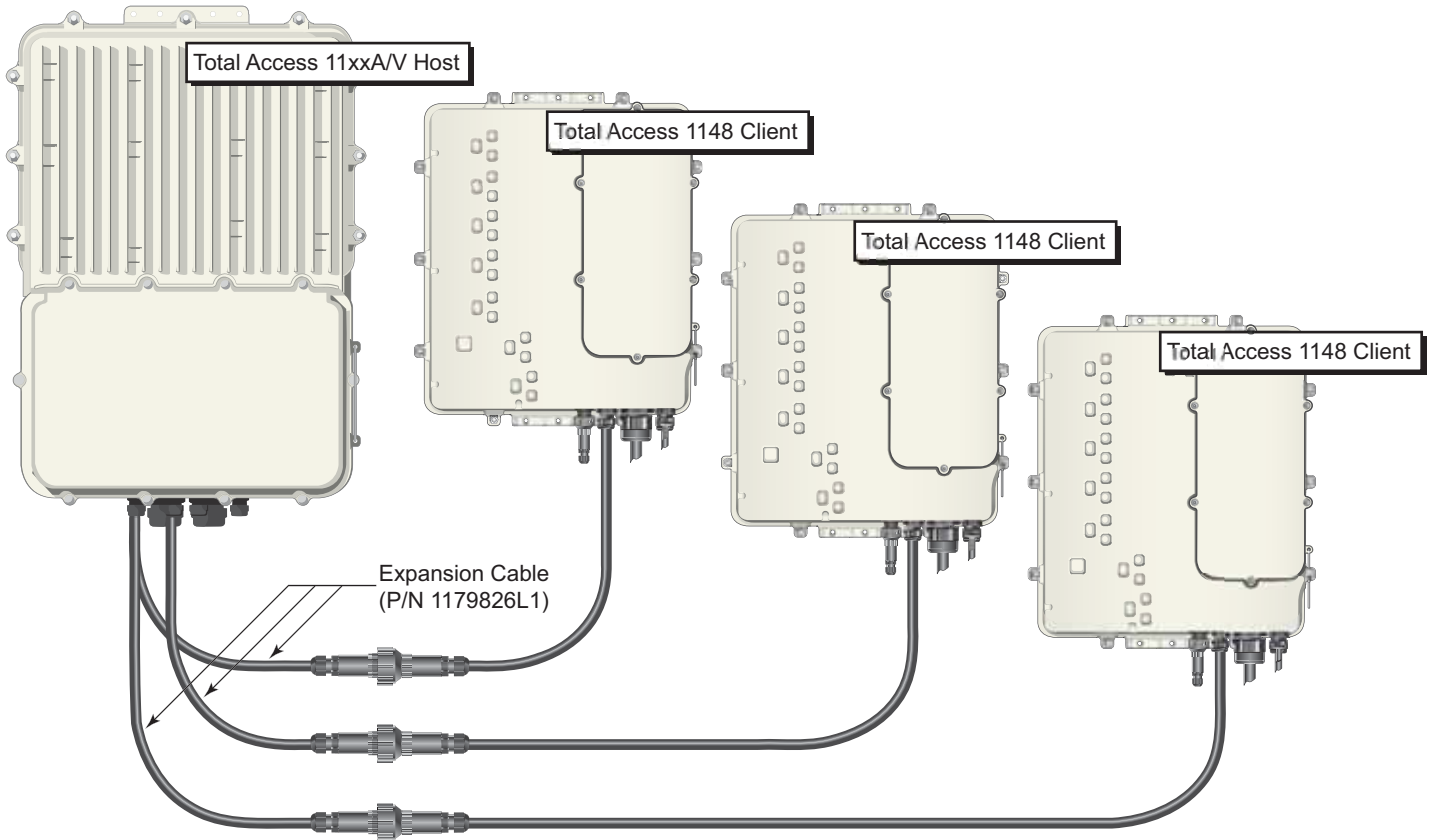
MAINTENANCE

The Expansion Cable does not require routine hardware maintenance for normal operation. ADTRAN does not recommend that repairs be attempted in the field. Repair services may be obtained by returning the defective unit to ADTRAN. Refer to the warranty for further information.

TOTAL ACCESS 1200 SERIES HOST TO TOTAL ACCESS 1100 SERIES CLIENT EXPANSION



TOTAL ACCESS 11xxA/V SERIES HOST TO TOTAL ACCESS 1100 SERIES CLIENT EXPANSION



Warranty: ADTRAN will replace or repair this product within the warranty period if it does not meet its published specifications or fails while in service. Warranty information can be found online at www.adtran.com/warranty.

©2009 ADTRAN, Inc. All Rights Reserved.



PRICING AND AVAILABILITY 800.827.0807
 TECHNICAL SUPPORT 800.726.8663
 RETURN FOR REPAIR 256.963.8722

